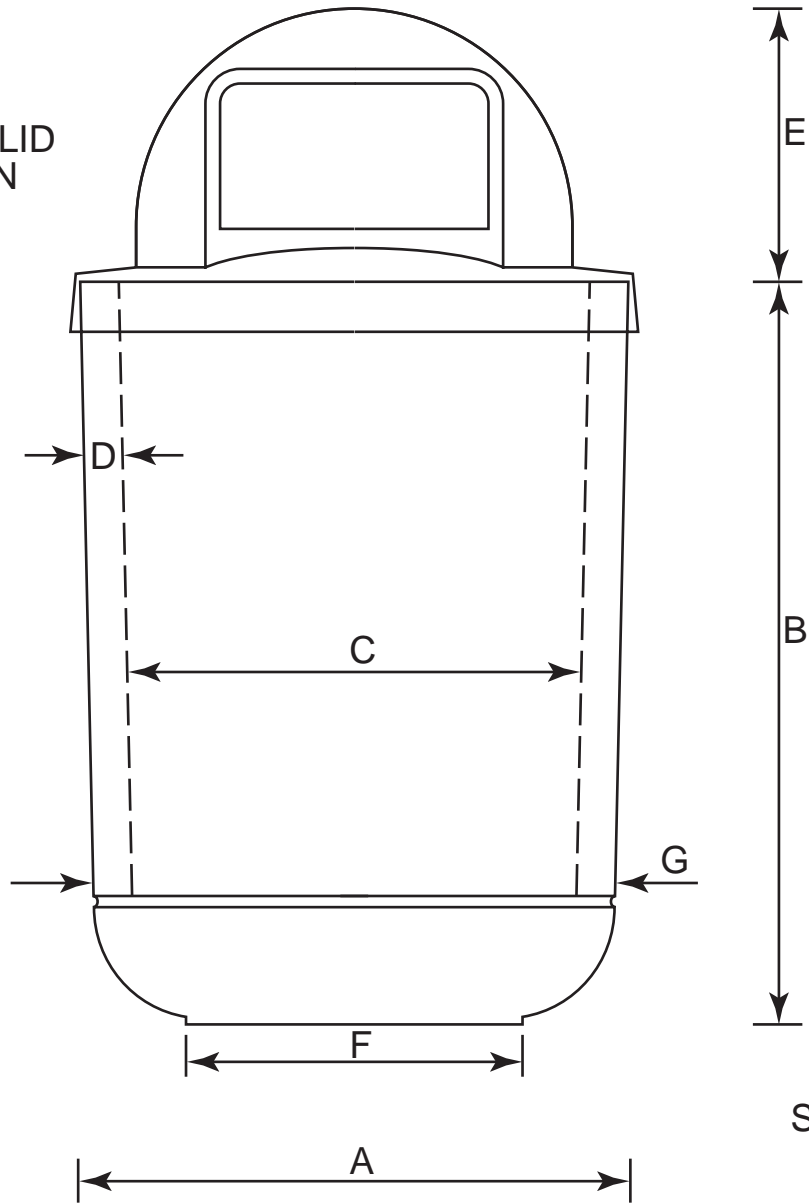


ELITE SERIES TRASH RECEPTACLE

NOTE: DOME LID
SHOWN



Scale: 1/8" = 1"

PRODUCT DIMENSIONS (in.)

PART #	A	B	C	D	E	F	G
WR35-EL-DL	24	33	20	2.0	13	15	22.5
WR35-EL-PL	24	33	20	2.0	3	15	22.5
WR35-EL-HL	24	33	20	2.0	10	15	22.5
WR35-EL-PL-AT	24	33	20	2.0	3	15	22.5
WR35-EL-DL-AT	24	33	20	2.0	13	15	22.5

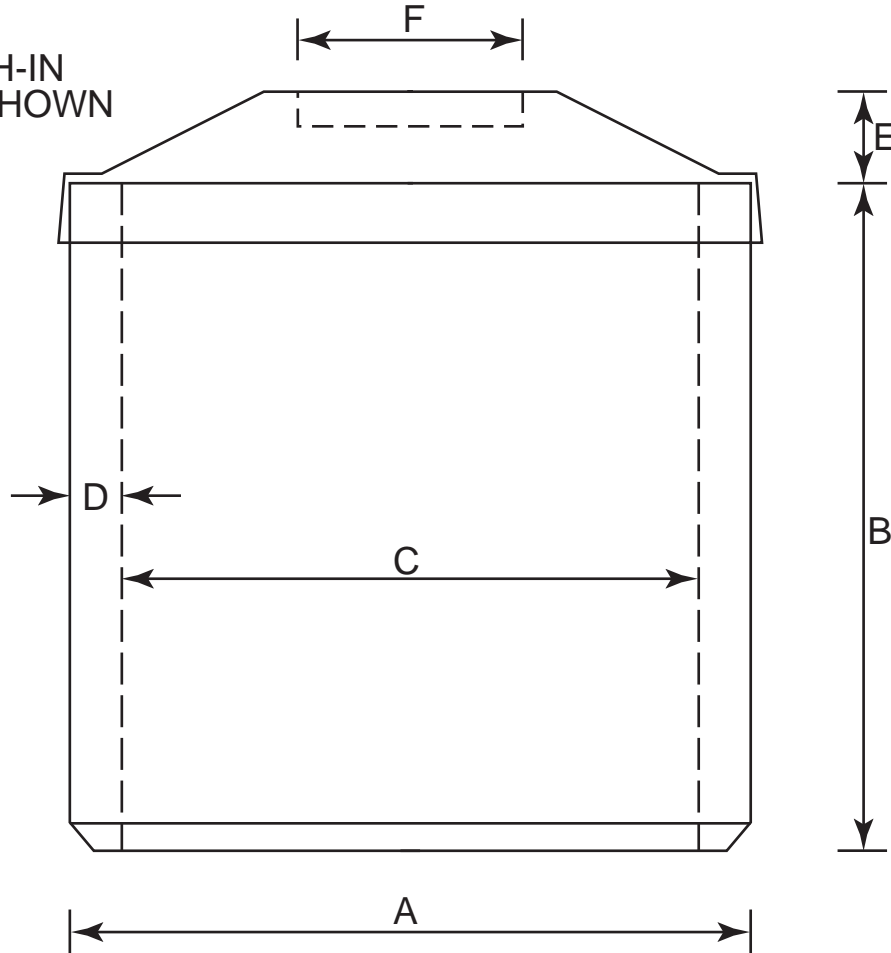
Rev. 7/04

ColorStone

CONCRETE SITE FURNISHINGS

ECONOMY SERIES TRASH RECEPTACLE

NOTE: PITCH-IN
LID SHOWN



PRODUCT DIMENSIONS (in.)

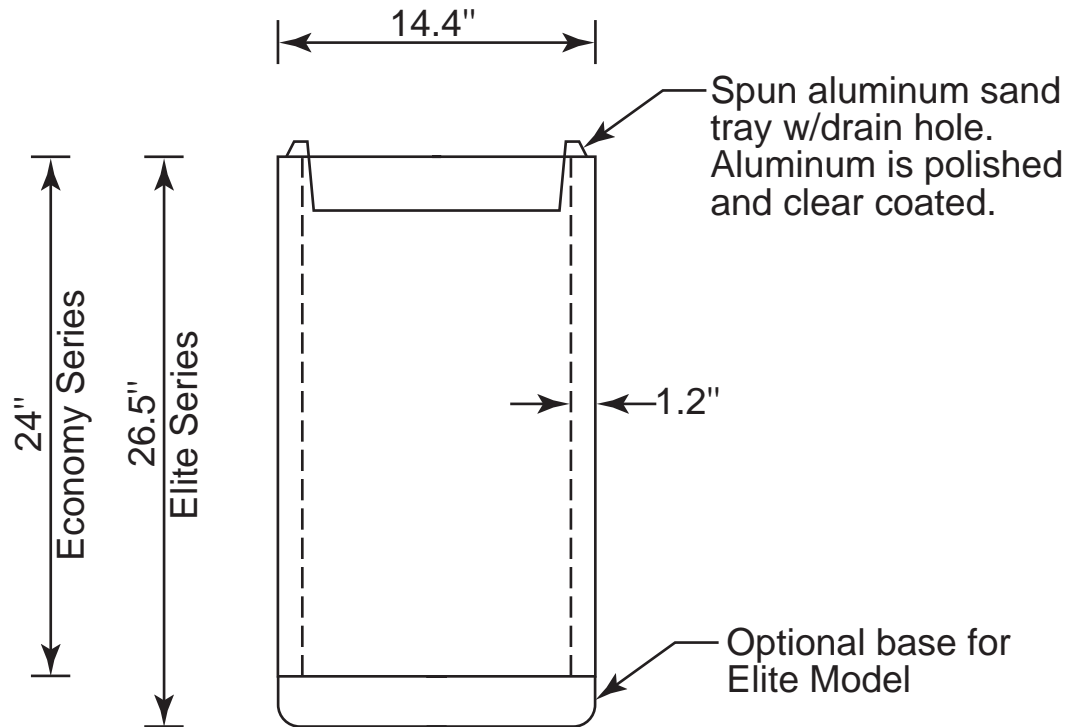
Scale: 1/8" = 1"

PART #	<u>A</u>	<u>B</u>	<u>C</u>	<u>D</u>	<u>E</u>	<u>F</u>
WR35-EC-DL	24	30	20	2.0	13	-
WR35-EC-PL	24	30	20	2.0	3	9
WR35-EC-HL	24	30	20	2.0	10	-
WR55-EC-PL	29	30	24	2.5	4	10
WR55-EC-HL	29	30	24	2.5	10	-
WR55-EC-PL-AT	29	37	24	2.5	4	10

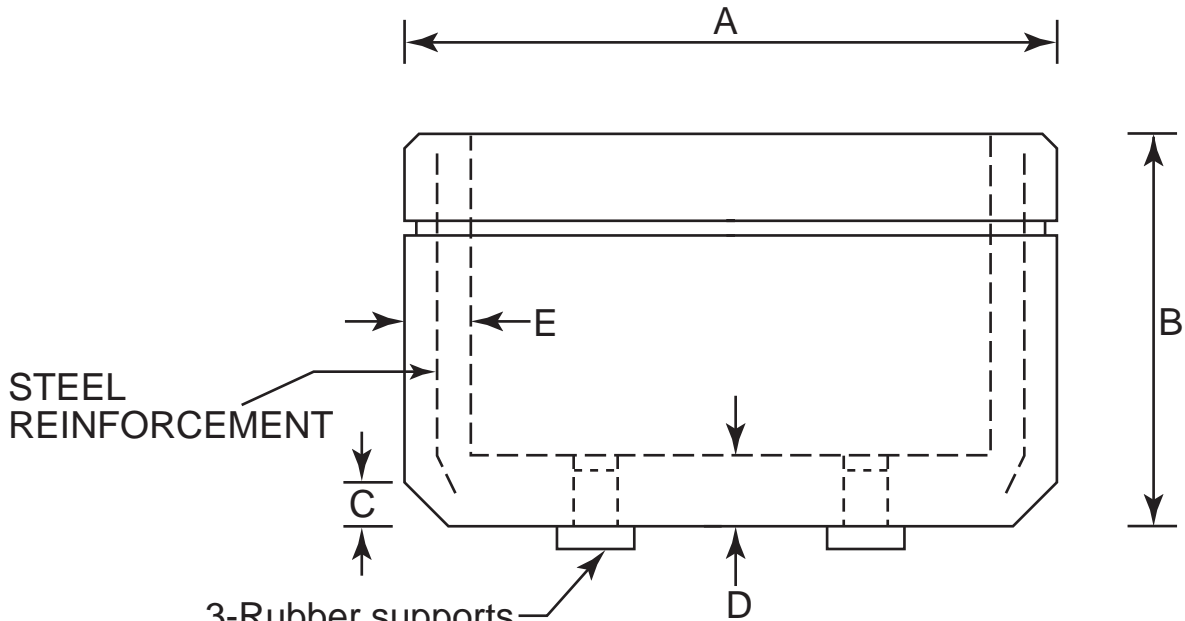
ColorStone

CONCRETE SITE FURNISHINGS

ASH URNS
ELITE AND ECONOMY MODELS



ECONOMY SERIES PLANTERS



3-Rubber supports
w/drain holes. Supports
provide space for
forklift access. Supports are
equally spaced under planter.

Scale: 1/8" = 1"

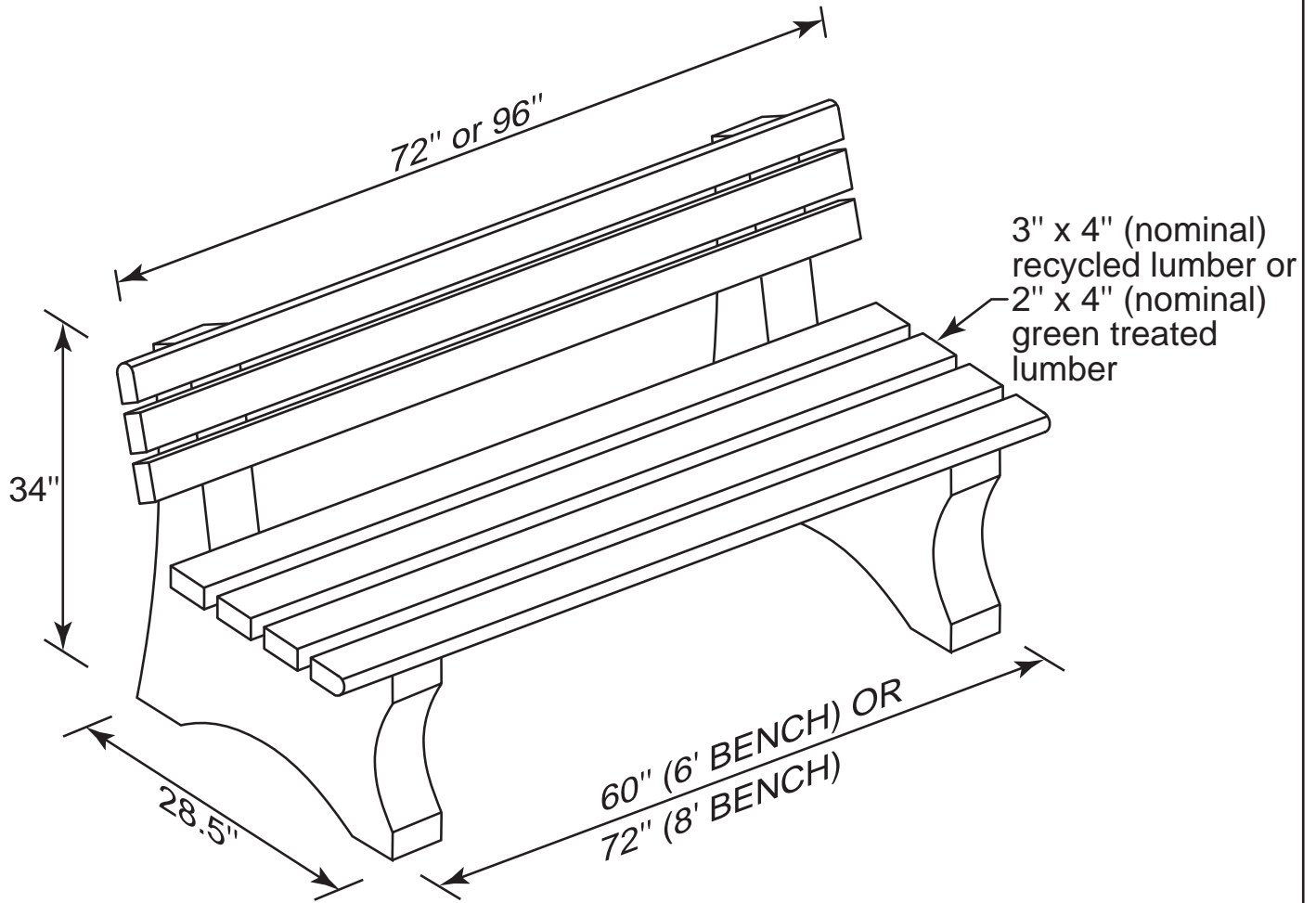
PRODUCT DIMENSIONS (in.)

<u>PART #</u>	<u>A</u>	<u>B</u>	<u>C</u>	<u>D</u>	<u>E</u>
PT-29-18-EC	29	18	2	3	3
PT-29-24-EC	29	24	2	3	3
PT-36-18-EC	36	18	3	3.5	3
PT-36-24-EC	36	24	3	3.5	3
PT-36-30-EC	36	30	3	3.5	3

Rev. 7/04

ColorStone
CONCRETE SITE FURNISHINGS

CONCRETE BENCH
W/RECYCLED PLASTIC BOARDS
OR GREEN TREATED LUMBER



- NOTE: 1. 96" BENCH HAS AN
ADDITIONAL CONCRETE
SUPPORT (CENTER).
2. CONCRETE SUPPORTS
ARE STEEL REINFORCED

Rev. 7/04

ColorStone
CONCRETE SITE FURNISHINGS